

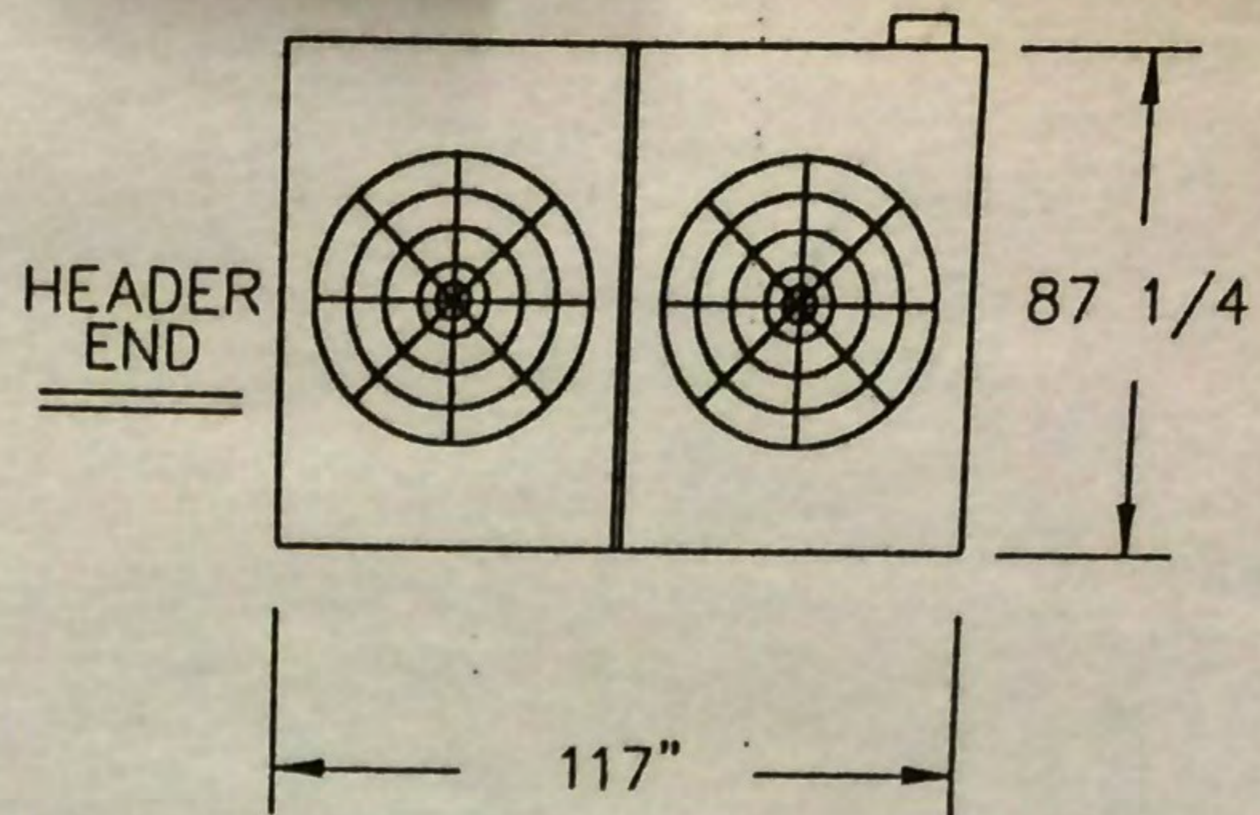
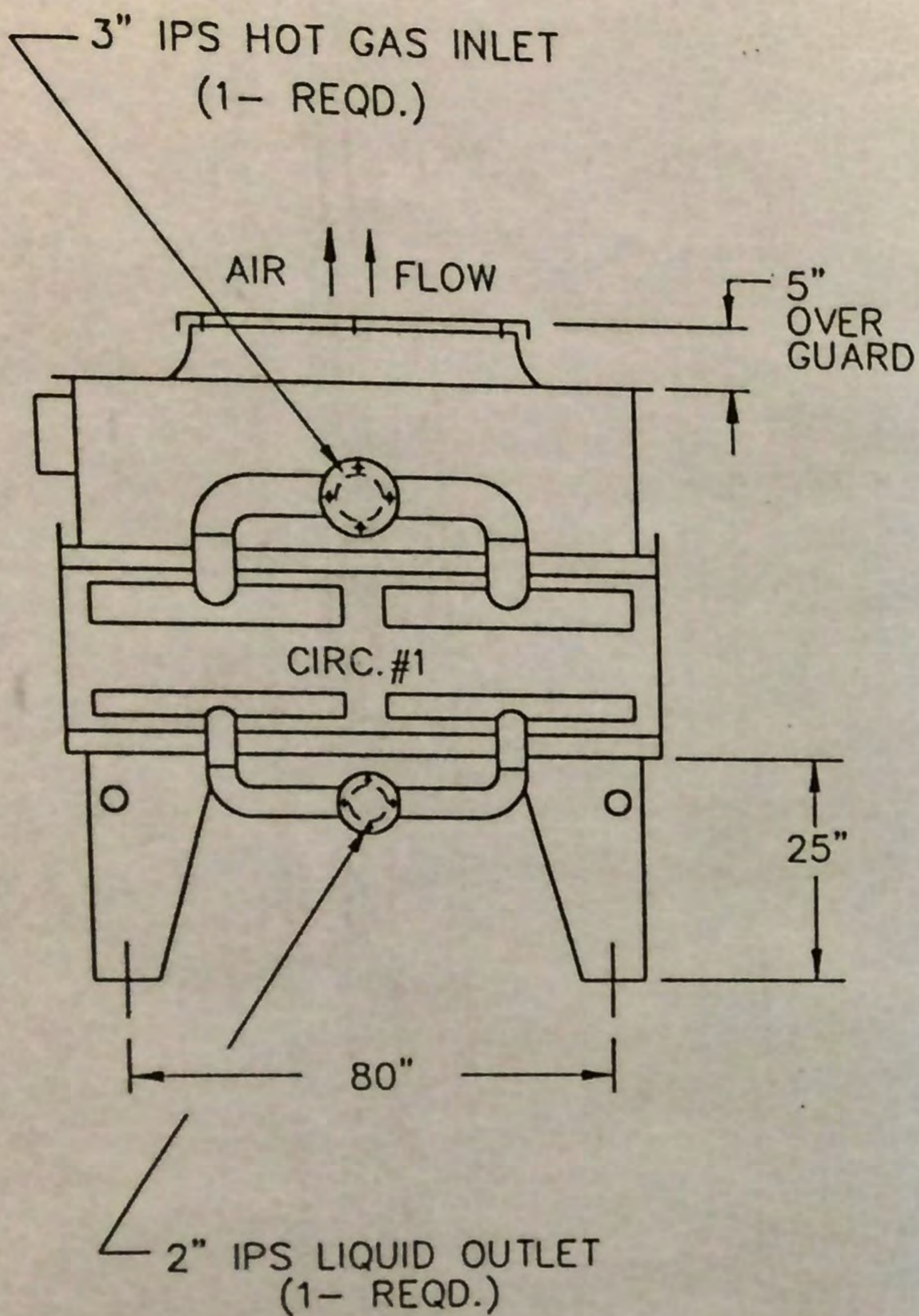
A

REVISED

6-94

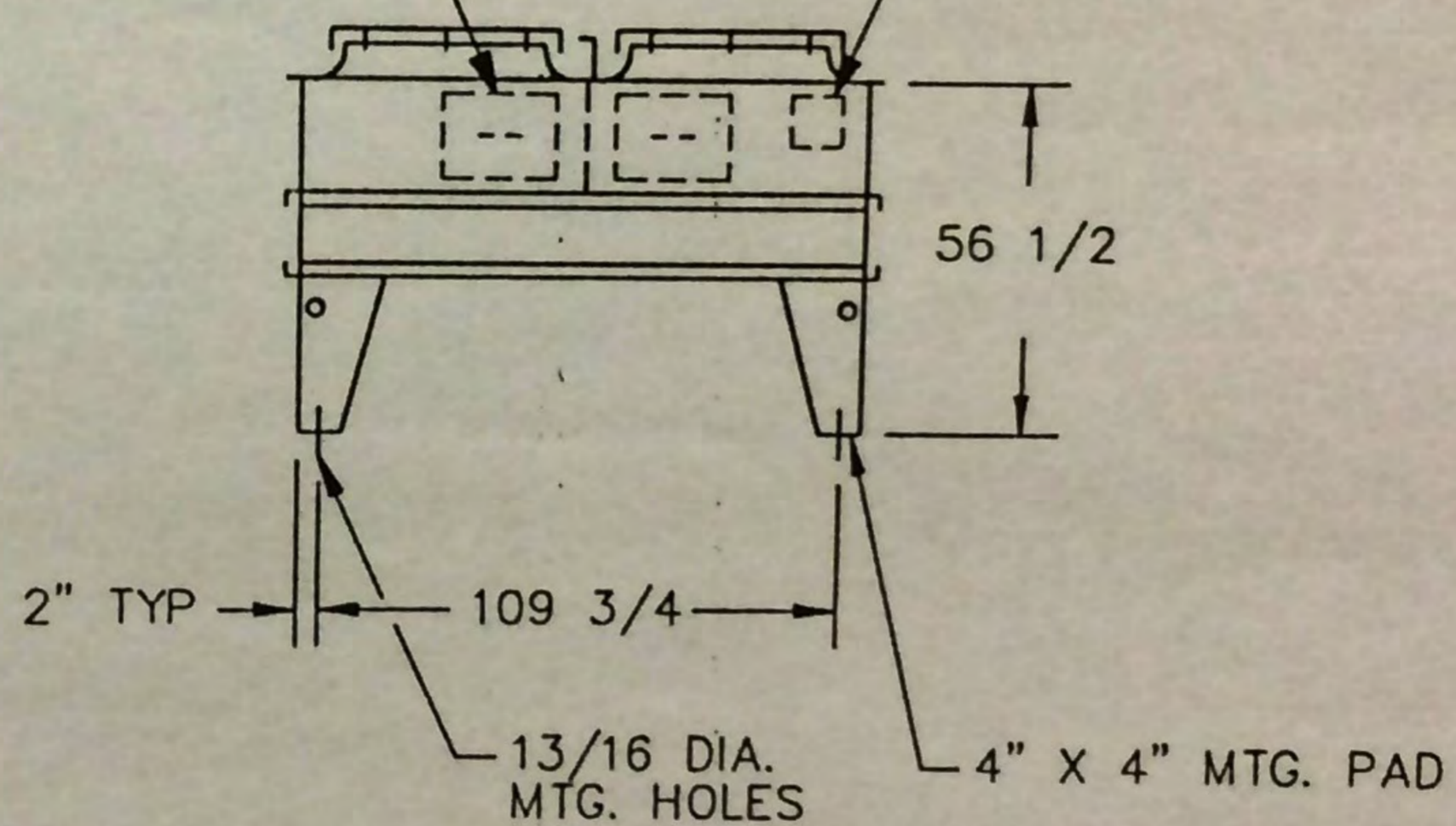
U.N.

Frigid Coil



STARTER PANEL (NEMA 7 CONTROL BOX
CLASS 1, GROUP D & GROUP C - DW2)
W/ 2 PRESS. (DAH 21-153-10S-MERCOLD)
(FAR SIDE)

ACCESS DOOR
(FAR SIDE)



DRAWING NO.

935472-1

REV. A

AIR FLOW -	41,700	CFM
FANS - (2)	48"	DIA
MOTORS - (2)	3 HP	1750 RPM
VOLTAGE -	460/60/3	
COIL -	COPPER TUBES , ALUMINUM FINS	
CIRCUIT AVAILABLE -	(2)	11
CHARGE -	2.74	CU FT INT VOL
QUANTITY -	1	
NET WEIGHT -	1715	LBS

CAPACITY -	30,664/FTD	BTUH GHR
REFRIGERANT -	R 22	
AMBIENT TEMP -	94	
CONDENSING TEMP -	114°	
REMARKS -	MANIFOLD KIT	
	3 HP TEFC MOTORS	
	ALUM FANS	
	STATIC FREE BELTS	
	SEALTITE CONDUIT	
	RIGID CONDUIT FOR T-STAT WIRING	

CUSTOMER - FRICK CO.

PROJECT -

LOCATION -

MARK - 293609

APPRVD. BY -

S.O. NO - 35472A

P.O. NO - P029291-00

NO. REQ'D./UNIT

NOTED

SHEET 1 OF 1 VOLUME ACC-28

DATE 3-25-94

SCALE NONE

MATL

DRAWN BY

U.N.

CHECKED BY

APPROVED BY

TITLE

U.N.

CHECKED BY

APPROVED BY

DATE

3-25-94

SCALE

NONE

SHEET 1 OF 1

VOLUME

ACC-28

MODEL NO

S-750

VCB-64

DRAWING NO.

935472-1

REV.

A