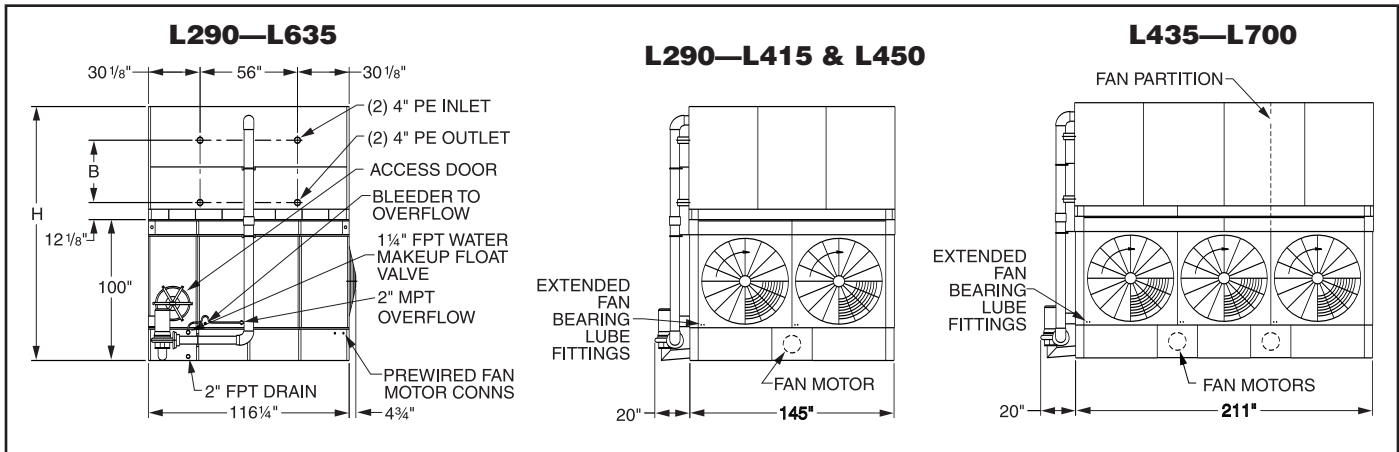


**XL EVAPORATIVE CONDENSERS
SPECIFICATIONS - ENGINEERING DATA - DIMENSIONS**



XLP Model ¹	NH ₃ Tons ²	CFM	Fan Mtr HP	Spray Water GPM	Pump Mtr HP	REMOTE SUMP			DIMENSIONS		Refrig Charge NH ₃ lb ⁵	WEIGHTS			Pan Heater kW
						Water In ³	Sump Drain ³	Gal. Req'd ⁴	Height H	Ctrs B		Unit Shipping ⁶	Unit Operating ⁷	Heaviest Section	
L290	205.7	52,200	7.5	400	3	4*	8†	325	166.25	27.50	330	12,715	18,931	8,840	12
L300	212.8	57,500	10	400	3	4*	8†	325	166.25	27.50	330	12,740	18,956	8,840	12
L315	223.4	50,600	7.5	400	3	4*	8†	325	173.50	34.75	410	14,655	20,952	10,780	12
L330	234.0	49,000	7.5	400	3	4*	8†	325	180.25	42.00	490	16,475	22,852	12,600	12
L335	237.6	65,800	15	400	3	4*	8†	325	166.25	27.50	330	12,790	19,006	8,840	12
L345	244.7	55,700	10	400	3	4*	8†	325	173.50	34.75	410	14,680	20,977	10,780	12
L350	248.2	70,000	20	400	3	4*	8†	325	166.25	27.50	330	12,840	19,056	8,840	12
L355	251.8	54,000	10	400	3	4*	8†	325	180.25	42.00	490	16,500	22,877	12,600	12
L375	266.0	63,700	15	400	3	4*	8†	325	173.50	34.75	410	14,730	21,027	10,780	12
L390	276.6	69,000	20	400	3	4*	8†	325	173.50	34.75	410	14,780	21,077	10,780	12
L405	287.2	61,500	15	400	3	4*	8†	325	180.25	42.00	490	16,550	22,927	12,600	12
L415	294.3	68,000	20	400	3	4*	8†	325	180.25	42.00	490	16,600	22,977	12,600	12
L435	308.5	78,300	7.5 & 5	600	5	4*	8†	500	166.25	27.50	480	18,440	27,706	12,790	18
L450	319.1	74,800	30	600	5	4*	8†	500	180.25	42.00	490	16,700	23,077	12,600	12
L460	326.2	86,200	10 & 5	600	5	4*	8†	500	166.25	27.50	480	18,490	27,756	12,790	18
L475	336.8	75,800	7.5 & 5	600	5	4*	8†	500	173.50	34.75	600	21,280	30,662	15,630	18
L505	358.1	98,700	15 & 7.5	600	5	4*	8†	500	166.25	27.50	480	18,540	27,806	12,790	18
L510	361.7	83,400	10 & 5	600	5	4*	8†	500	173.50	34.50	600	21,330	30,712	15,630	18
L520	368.8	101,800	20 & 10	600	5	4*	8†	500	166.25	27.50	480	18,590	27,856	12,790	18
L565	400.7	95,400	15 & 7.5	600	5	4*	8†	500	173.50	34.75	600	21,380	30,762	15,630	18
L575	407.8	101,100	20 & 10	600	5	4*	8†	500	173.50	34.75	600	21,430	30,812	15,630	18
L590	418.4	92,160	15 & 7.5	600	5	4*	8†	500	180.25	42.00	720	24,000	33,497	18,300	18
L635	450.3	101,950	20 & 10	600	5	4*	8†	500	180.25	42.00	720	24,100	33,597	18,300	18
L700	496.5	112,500	30 & 15	850	7.5	4*	8†	500	180.25	42.00	720	24,200	33,697	18,300	18

*Male Pipe Thread †Plain End

Do not use for construction—product drawings available on request. Footnotes are listed on page 11.