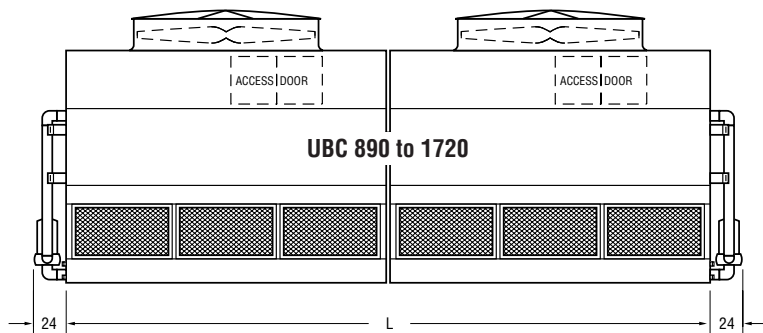
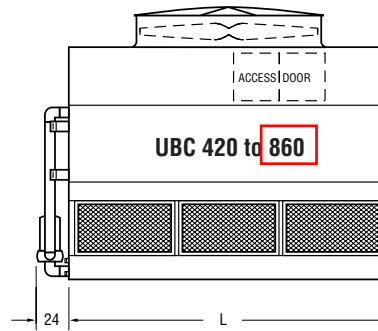
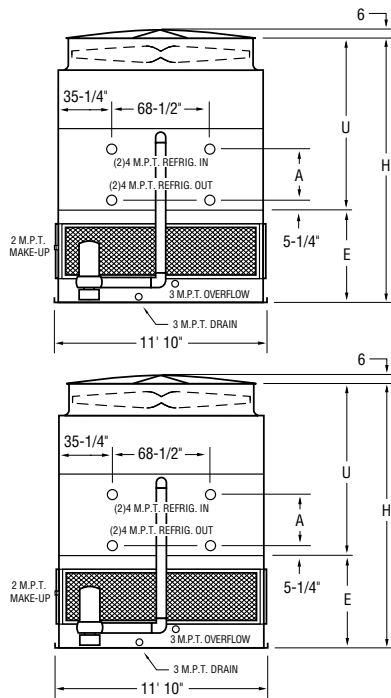




# Engineering Dimensions & Data *Models UBC 420 to 1720*



**Table 15 Engineering Data**

UBC Model No.*	R-717 Tons*	Fans		Weights			Refrigerant Charge lbs.***	Coil Volume ft <sup>3</sup>	Spray Pump		Remote Pump		Dimensions					
		HP	CFM	Shipping	Operating	Heaviest Section†			HP	GPM	Gallons Req'd**	Conn. Size	Operating Weight	Height H	Upper U	Lower E	Coil A	Length L
420	298	15	75,400	16,740	22,710	13,810	400	55	5	800	500	12"	19,970	13' 11-1/8"	8' 11"	5' 1/8"	30-3/4"	11' 11-3/4"
460	326	25	84,200	16,860	22,830	13,930	400	55	5	800	500	12"	20,090	13' 11-1/8"	8' 11"	5' 1/8"	30-3/4"	11' 11-3/4"
490	348	20	79,700	18,980	25,140	16,050	495	68	5	800	500	12"	22,400	14' 7-5/8"	9' 7-1/2"	5' 1/8"	39-1/4"	11' 11-3/4"
505	358	25	82,000	19,060	25,220	16,130	495	68	5	800	500	12"	22,480	14' 7-5/8"	9' 7-1/2"	5' 1/8"	39-1/4"	11' 11-3/4"
520	369	25	80,000	21,300	27,650	18,370	590	81	5	800	500	12"	24,910	15' 4-1/8"	10' 4"	5' 1/8"	47-3/4"	11' 11-3/4"
540	383	30	82,700	21,420	27,770	18,490	590	81	5	800	500	12"	25,030	15' 4-1/8"	10' 4"	5' 1/8"	47-3/4"	11' 11-3/4"
560	397	25	122,000	21,130	29,720	16,460	450	62	7-1/2	1,200	720	12"	25,600	14' 2-5/8"	8' 2-1/2"	6' 1/8"	22-1/4"	18' 0"
580	411	30	128,900	21,250	29,840	16,580	450	62	7-1/2	1,200	720	12"	25,720	14' 2-5/8"	8' 2-1/2"	6' 1/8"	22-1/4"	18' 0"
630	447	20	115,600	24,550	33,440	19,880	595	81	7-1/2	1,200	720	12"	29,320	14' 11-1/8"	8' 11"	6' 1/8"	30-3/4"	18' 0"
670	475	25	120,900	24,630	33,520	19,960	595	81	7-1/2	1,200	720	12"	29,400	14' 11-1/8"	8' 11"	6' 1/8"	30-3/4"	18' 0"
700	496	30	124,600	24,750	33,640	20,080	595	81	7-1/2	1,200	720	12"	29,520	14' 11-1/8"	8' 11"	6' 1/8"	30-3/4"	18' 0"
730	518	25	115,000	27,960	37,220	23,350	740	101	7-1/2	1,200	720	12"	33,100	15' 7-5/8"	9' 7-1/2"	6' 1/8"	39-1/4"	18' 0"
765	543	30	120,900	28,080	37,340	23,470	740	101	7-1/2	1,200	720	12"	33,220	15' 7-5/8"	9' 7-1/2"	6' 1/8"	39-1/4"	18' 0"
800	567	40	129,000	28,360	37,620	23,750	740	101	7-1/2	1,200	720	12"	33,500	15' 7-5/8"	9' 7-1/2"	6' 1/8"	39-1/4"	18' 0"
830	589	40	125,100	31,750	41,370	27,140	885	121	7-1/2	1,200	720	12"	37,250	16' 4-1/8"	10' 4"	6' 1/8"	47-3/4"	18' 0"
860	610	50	131,400	32,050	41,670	27,440	885	121	7 1/2	1,200	720	12"	37,550	16' 4-1/8"	10' 4"	6' 1/8"	47-3/4"	18' 0"
890	631	(2)20	165,200	33,480	45,420	13,010	805	109	(2)5	1,600	1,000	(2)12"	39,940	14' 11-1/8"	8' 11"	6' 1/8"	30-3/4"	24' 2"
920	652	(2)15	146,200	37,800	50,120	14,960	990	135	(2)5	1,600	1,000	(2)12"	44,640	15' 7-5/8"	9' 7-1/2"	6' 1/8"	39-1/4"	24' 2"
1010	716	(2)25	165,000	38,040	50,360	15,080	990	135	(2)5	1,600	1,000	(2)12"	44,880	15' 7-5/8"	9' 7-1/2"	6' 1/8"	39-1/4"	24' 2"
1075	762	(2)30	165,400	42,750	55,460	17,220	1,185	161	(2)5	1,600	1,000	(2)12"	49,980	16' 4-1/8"	10' 4"	6' 1/8"	47-3/4"	24' 2"
1110	787	(2)25	244,000	42,350	59,540	15,500	905	123	(2) 7-1/2	2,400	1,440	(2)12"	51,300	15' 2-5/8"	8' 2-1/2"	7' 1/8"	22-1/4"	36' 2-1/2"
1265	897	(2)20	234,800	49,200	66,980	18,610	1,190	163	(2) 7-1/2	2,400	1,440	(2)12"	58,740	15' 11-1/8"	8' 11"	7' 1/8"	30-3/4"	36' 2-1/2"
1335	947	(2)25	241,300	49,360	67,140	18,690	1,190	163	(2) 7-1/2	2,400	1,440	(2)12"	58,900	15' 11-1/8"	8' 11"	7' 1/8"	30-3/4"	36' 2-1/2"
1395	989	(2)30	249,300	49,600	67,380	18,810	1,190	163	(2) 7-1/2	2,400	1,440	(2)12"	59,140	15' 11-1/8"	8' 11"	7' 1/8"	30-3/4"	36' 2-1/2"
1460	1035	(2)25	230,500	56,020	74,530	21,760	1,485	202	(2) 7-1/2	2,400	1,440	(2)12"	66,290	16' 7-5/8"	9' 7-1/2"	7' 1/8"	39-1/4"	36' 2-1/2"
1530	1085	(2)30	241,800	56,260	74,770	21,880	1,485	202	(2) 7-1/2	2,400	1,440	(2)12"	66,530	16' 7-5/8"	9' 7-1/2"	7' 1/8"	39-1/4"	36' 2-1/2"
1605	1138	(2)40	257,000	56,820	75,330	22,160	1,485	202	(2) 7-1/2	2,400	1,440	(2)12"	67,090	16' 7-5/8"	9' 7-1/2"	7' 1/8"	39-1/4"	36' 2-1/2"
1655	1174	(2)40	250,100	63,600	82,840	25,230	1,770	241	(2) 7-1/2	2,400	1,440	(2)12"	74,600	17' 4-1/8"	10' 4"	7' 1/8"	47-3/4"	36' 2-1/2"
1720	1220	(2)50	262,700	64,200	83,440	25,530	1,770	241	(2) 7-1/2	2,400	1,440	(2)12"	75,200	17' 4-1/8"	10' 4"	7' 1/8"	47-3/4"	36' 2-1/2"

\* Tons at standard conditions: HCFC-22 and HFC-134a. 105°F condensing, 40°F suction and 78°F W.B.; ammonia 96.3°F condensing, 20°F suction and 78°F W.B.

\*\* Gallons shown is water in suspension in unit and piping. Allow for additional water in bottom of remote sump to cover pump suction and strainer during operation. (12" would normally be sufficient.)

† Heaviest section is the coil section.

\*\*\* Refrigerant charge is shown for R-717. Multiply by 1.93 for R-22 and 1.98 for R-134a. Dimensions are subject to change. Do not use for pre-fabrication.